



s.r.l.

Produttore/Producer/Hersteller/Producteur: Techna srl, via Karl Marx 79 - 42124 Roncole Verdi (RE) Italy  
P.IVA IT02174270351 Tel. +39.0522.492490 Fax +39.0522.915072  
www.woodline-srl.eu - info@woodline-srl.eu

I  
GB  
D  
F

*Allegato al manuale uso e manutenzione  
Annex to the instruction and maintenance manual  
Anhang zum Bedienungs und Wartungshandbuch  
Annexé au instructions d'emploi et d'entretien*

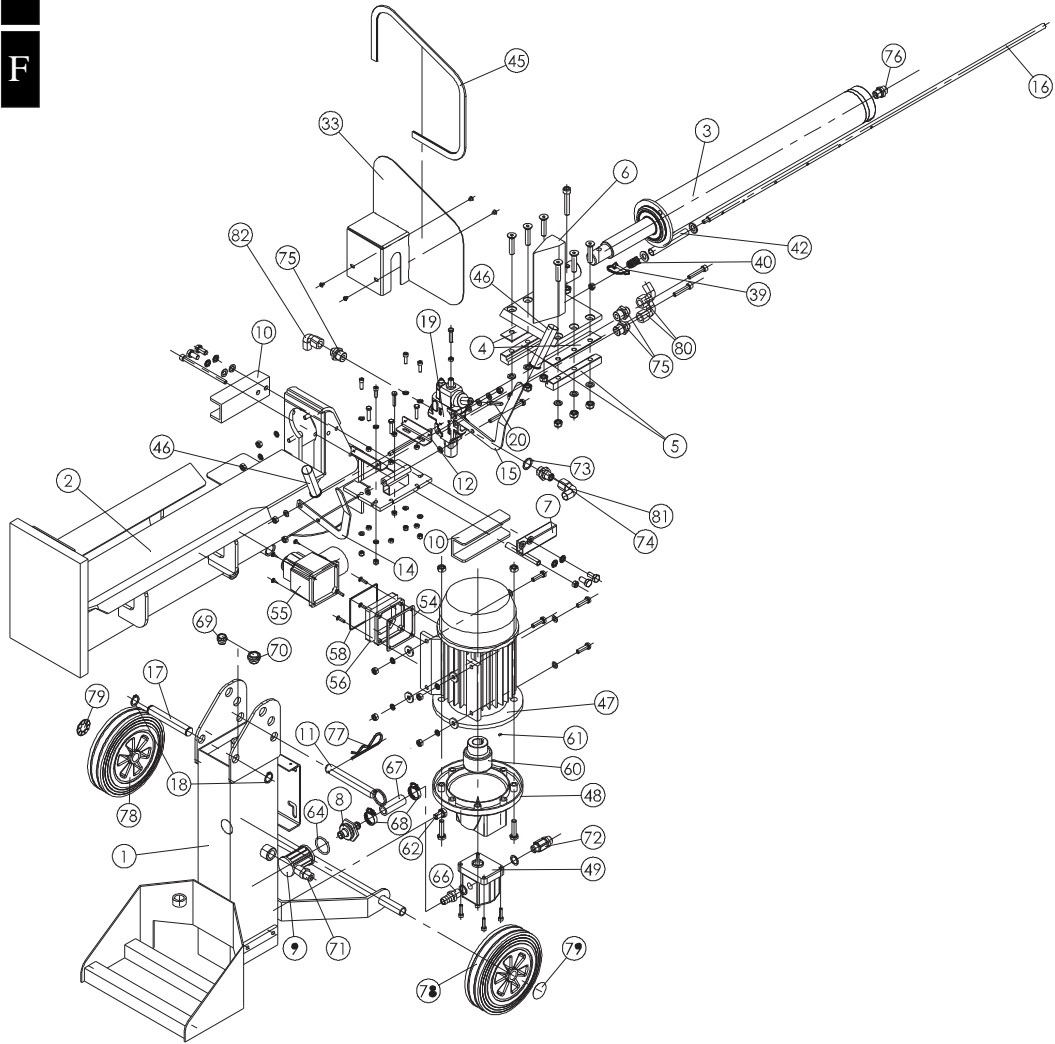
*SPACCALEGNA IDRAULICO  
HYDRAULIC LOG SPLITTER  
HYDRAULISCHER HOLZSPALTER  
FENDEUSE À BOIS HYDRAULIQUE  
WL 8 MULTIPLA*

**Schemi ed Esplosi macchina**

**Machine diagrams and exploded drawings**

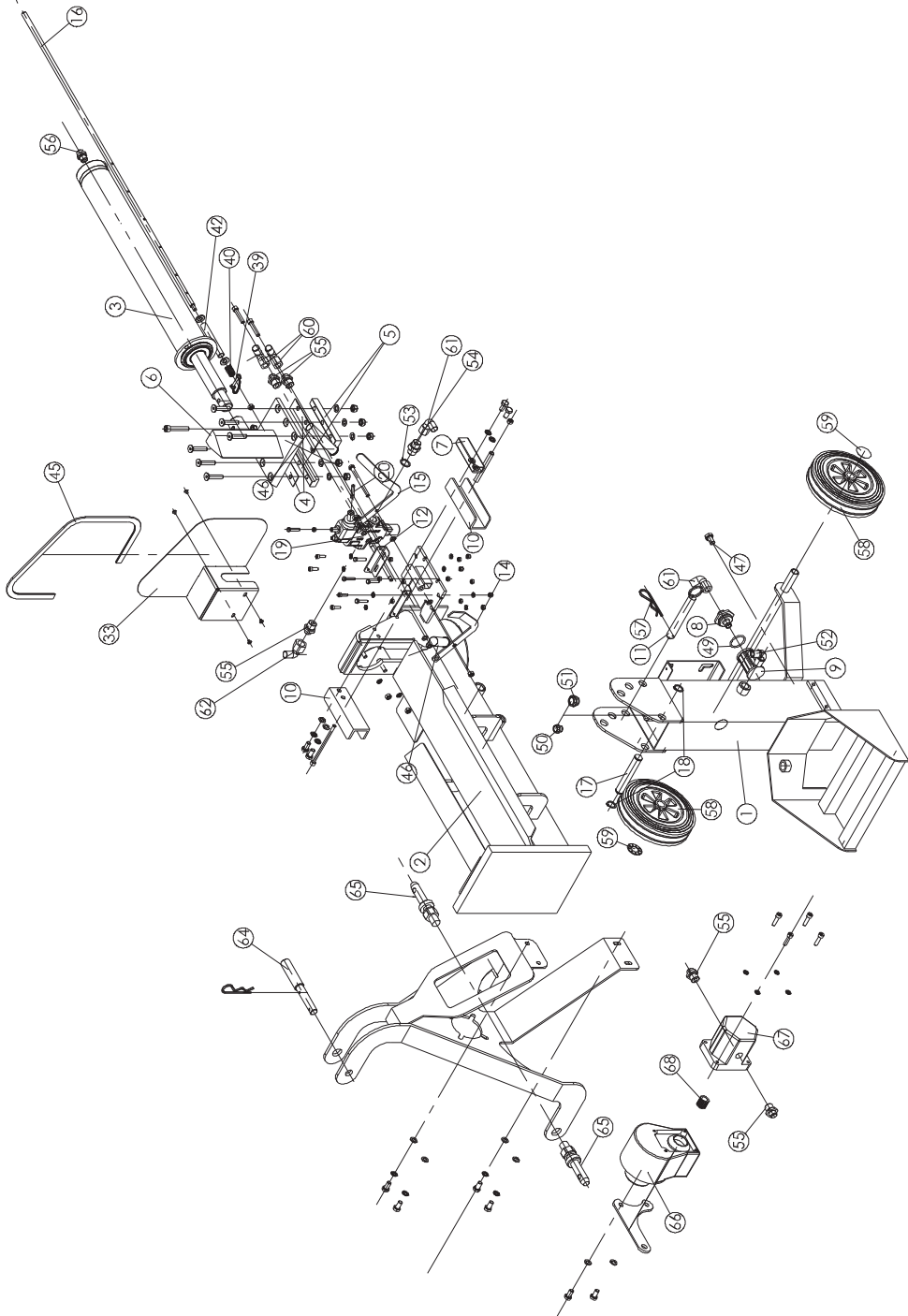
**Pläne und Explosionszeichnungen der Maschine**

**Schémas machine dessin détaillé de la machine**



POS.	DENOMINAZIONE	DESCRIPTION	BESCHREIBUNG	DÉNOMINATION	N° REF.
1	TELAIO FISSO	FIXED FRAME	FIXIERTER RAHMEN	CHÂSSIS FIXE	1 F1010189_01
2	TELAIO MOBILE	MOBILE FRAME	BEWEGLICHER RAHMEN	CHÂSSIS MOBILE	1 F1010129_00
3	CILINDRO	CYLINDER	ZYLINDER	CYLINDRE	1 F1510038_00
4	LAMIERA OTTONE	BRASS SHEET	MESSINGBLECH	TÔLE LAITON	2 L1110020_01
5	ANGOLARE OTTONE	BRASS ANGLE	WINKERPROFIL MESSING	CORNIÈRE LAITON	2 L1110021_01
6	CUNEO	WEDGE	KEIL	LAME	1 F1110021_00
7	COMANDO SCARICO	OFFLOADING CONTROL	BEDIENELEMENT AUSLASS	COMMANDE DÉCHARGEMENT	1 F1610040_00
8	ESAGONO PORTAFILTRO CON FILETTO 1/2" GAS	FILTER SUPPORT - 1/2" GAS	FILTERBEHÄLTER - 1/2" GAS	SUPPORT FILTRE - 1/2" GAS	1 L1710149_00
9	FILTRO 3/8 GAS D35 H60	FILTER 3/8 GAS D35 H60	FILTER 3/8 GAS D35 H60	FILTRE 3/8 GAS D35 H60	1 F1710009_00
10	DISPOSITIVO ANTIRITORNO LEGNO	ANTI-RETURN DEVICE	HOLZANTIRÜCKLAUFVORRICHTUNG	BOIS ANTI-RETOUR	2 F2210011_00
11	SPINA MOBILE	MOBILE PLUG	BEWEGLICHER STECKER	GOUPILLE MOBILE	1 F2810015_00
12	SUPPORTO CARTER	SUPPORT GUARD	UNTERSTÜTZUNG CARTER	SOUTIEN CARTER	2 L1010037_00
13	BILANCIERE DI COMANDO	CONTROL COMPENSATOR	STEUERKIPPHEBEL	CULBATEUR DE COMMANDE	1 L1610055_00
14	LEVA DI COMANDO DX	DX CONTROL LEVER	DX STEUERHEBEL	DX LEVIER DE COMMANDE	1 L1610105_00
15	LEVA DI COMANDO SX	SX CONTROL LEVER	SX STEUERHEBEL	SX LEVIER DE COMMANDE	1 L1610133_00
16	ASTA SCARICO	OFFLOADING ROD	AUSLASSSTAB	ROD ÉCHAPPEMENT	1 L1610099_00
17	PERNO CON GOLE PER SEEGER	PIN FOR CIRCLIP	PIN FÜR SICHERUNGSRING	BROCHES POUR ANNEAU ELASTIQUE	1 L3110026_00
18	SEEGER per PERNO D20/D19	CIRCLIP FOR PIN D20/D19	SICHERUNGSRING FÜR PIN D20/D19	ANNEAU ELASTIQUE POUR BROCHES D20/D19	2 L2810066_00
19	DISTRIBUTORE WALVOIL SD4 1/2" DV	WALVOIL SD4 1/2" DV DISTRIBUTOR	STEUERBLOCK WALVOIL SD4 1/2" DV	DISTRIBUTEUR WALVOIL SD4 1/2" DV	1 F2510020_00
20	PERNO DISTRIBUTORE	DISTRIBUTOR PIN	STIFT STEUERBLOCK	BROCHES DISTRIBUTEUR	1 L1610087_00
21	VITE TSPEI M10x50	TSPEI M10x50 SCREW	SCHRAUBE TSPEI M10x50	SCHRAUBE TSPEI M10x50	6 L2810029_00
22	RONDELLA Ø 10	Ø 10 WASHER	SCHEIBE Ø 10	RONDELLE Ø 10	16 L2810025_00
23	DADI M10 AUTOBLOCCANTI	M10 SELF-LOCKING NUTS	SELBSTSICHERNDEN MUTTERN M10	ÉCROUS AUTOBLOQUANTS M10	7 L2810026_00
24	VITI 8x45 TCEI	8x45 TCEI SCREWS	SCHRAUBEN 8x45 TCEI	VIS 8x45 TCEI	2 L2810048_00
25	VITI 6x20 TCEI	6x20 TCEI SCREWS	SCHRAUBEN 6x20 TCEI	VIS 6x20 TCEI	4 L2810047_00
26	RONDELLA PIANA PER VITE M6	WASHER FLAT FOR M6 SCREW	UNTERLEGSCHLEIBE FÜR SCHRAUBE M6	RONDELLE PLATE POUR VIS M6	8 L2810070_00
27	DADO AUTOBLOCCANTE M6	M6 SELF-LOCKING NUTS	SELBSTSICHERNDEN MUTTERN M6	ÉCROUS AUTOBLOQUANTS M6	4 L2810069_00
28	VITE TE M8x100	TE M8x100 SCREW	SCHRAUBE TE M8x100	VIS TE M8x100	1 L2810067_00
29	DADI M8 AUTOBLOCCANTI	M8 SELF-LOCKING NUTS	SELBSTSICHERNDEN MUTTERN M8	ÉCROUS AUTOBLOQUANTS M8	4 L2810031_00
30	RONDELLA Ø 8	Ø 8 WASHER	SCHEIBE Ø 8	RONDELLE Ø 8	6 L2810030_00
31	VITI 6x30 TE	TE 6x30 SCREW	SCHRAUBE TE 6x30	VIS TE 6x30	5 L2810051_00
32	DADI M6	M6 NUTS	MUTTERN M6	ÉCROUS M6	9 L2810045_00
33	CARTER PER GRUPPO COMANDO	CONTROL UNIT GUARDS	SCHUTZVERKLEIDUNG DER STEUEREREINHEIT	CARTER POUR GROUPE COMMANDE	1 F2210021_00
34	VITE 4,8x9,5 AUTOFILETTANTI A CROCE	4,8x9,5 SELF TAPPING PHILLIPS SCREW	KOPF-KREUZSCHLITZ SELBSTSCHNEIDENDE 4,8x9,5	VIS CRICIFORM AUTOTARDEUSES DE 4,8x9,5	4 L2810056_00
35	GROVER PER M8	WASHER GROWER FOR M8 SCREW	GROWER WASHER FÜR SCHRAUBE M8	RONDELLE GROUVER POUR VIS M8	6 L2810071_00
36	DADI M8	M8 NUTS	MUTTERN M8	ÉCROUS M8	3 L2810046_00
37	GROVER PER M10	WASHER GROWER FOR M10 SCREW	GROWER WASHER FÜR SCHRAUBE M10	RONDELLE GROUVER POUR VIS M10	8 L2810072_00
38	VITE 10x20 TE	TE 10x20 SCREW	SCHRAUBE TE 10x20	VIS TE10x20	10 L2810055_00
39	COPPIGLIA A SCATTO Art.319	COTTER PIN ART.319	SCHRAUBE AU SNAP ART.319	GOUPILLE AU SNAP ART.319	1 L2810039_00
40	COMPRESSION-SPRING	COMPRESSION-SPRING	SCHRAUBENDRUCKFEDER	RESSORT DE PRESSION	1 L1510022_00
41	RONDELLA M12	M12 WASHER	SCHEIBE M12	RONDELLE M12	2 L2810042_00
42	NOTTOLINO DI REGISTRO CORSA	STROKE ADJUSTMENT RATCHET	SCHALTKLINKE HUBEINSTELLUNG	VERROU REGULATION COURSE	1 L1610067_00
43	VITE 8x130 TCEI	8x130 TCEI SCREW	SCHRAUBE 8x130 TCEI	VIS 8x130 TCEI	1 L2810054_00
44	VITE TCEI M10x60	TCEI M10x60 SCREW	SCHRAUBE TCEI M10x60	VIS TCEI M10x60	1 L2810073_00
45	PROFILO CANALINO "U" CON METALLO	U PROFILE WITH METAL	PROFILE "U" MIT METAL	PROFILÉ "U" AVEC MÉTAL	1 F2210016_00
46	MANOPOLE PVC DURO NERA ART 520	ART 520 KNOBS	ART 520 KNAUF	ART 520 POIGNÉE	2 L1610062_00
47	VITE M12x20 TE	TCEI M12x20 TE	SCHRAUBE M12x20 TE	VIS M12x20 TE	1 L1710098_00
48	RONDELLA RAME M12	M12 COPPER WASHER	KUPFERSCHLEIBE M12	RONDELLE DE CUIVRE M12	1 L1710097_00
49	OR PORTAFILTRO WL8	OR FILTER SUPPORT FLANGE WL8	OR HALTERUNGSFLANSCH FILTER WL8	OR BRIDE SUPPORT FILTRE WL8	1 L1710008_00
50	TAPPO PLASTICA 1/2" SENZA SFIATO	PLASTIC PLUG 1/2" WITHOUT VENT	ATEMPAUSE 1/2" OHNE MÜTZE	BOUCHON EN PLASTIQUE 1/2" SANS VENT	1 L1710032_00
51	TAPPO PLASTICA 1/2" CON SFIATO	PLASTIC PLUG 1/2" WITH VENT	ATEMPAUSE 1/2" MIT MÜTZE	BOUCHON EN PLASTIQUE 1/2" AVEC VENT	1 L1710007_00
52	CURVA 1/2M Con. - 1/2M	CURVE FITTING 1/2M Con. - 1/2M	CURVED-ANSCHLUSS 1/2M Con. - 1/2M	CONNECTEUR COURBE 1/2M Con. - 1/2M	1 L1710053_00
53	RONDELLA RAME 1/2"	1/2" COPPER WASHER	KUPFERSCHLEIBE 1/2"	RONDELLE DE CUIVRE 1/2"	1 L1710010
54	NIPPLES 1/2M - T12M	NIPPLES 1/2M - T12M	ANSAUGNIPPEL 1/2M - T12M	NIPLES 1/2M - T12M	1 L1710028_00
55	NIPPLES 1/2M - T12M	NIPPLES 1/2M - T12M	ANSAUGNIPPEL 1/2M - T12M	NIPLES 1/2M - T12M	5 L1710064_00
56	NIPPLES 3/8M - T12M	NIPPLES 3/8M - T12M	ANSAUGNIPPEL 3/8M - T12M	NIPLES 3/8M - T12M	1 L1710026_00
57	COPPIGLIA DOPPIO GIRO D.4x50	SPLIT PIN DOUBLE ROW D.4x50	SPLIT PIN DOPPELREIHE D.4x50	GOUPILLE A DOUBLE RANGEE D.4x50	2 L2810002_00
58	RUOTE 200 F. 20 BLIKE	WHEELS 200 F. 20 BLIKE	RÄDER 200 F. 20 BLIKE	ROUES 200 F. 20 BLIKE	2 L2710008_00
59	BORCHIA FERMA RUOTA F 20 RES	WHEEL FIXING STUDS F 20 RES	NÄGEL RADBEFESTIGUNG F 20 RES	CLOUS DE FIXATION ROUE F 20 RES	2 L2710002_00
60	T12 - T12 90° L=730	T12 - T12 90° L=730	T12 - T12 90° L=730	T12 - T12 90° L=730	2 F1710220-A_00
61	T12 - T12 DRITTO L=2000	T12 - T12 STRAIGHT L=2000	T12 - T12 RECTILIGNE L=2000	T12 - T12 RECTILIGNE L=2000	2 F1710220-B_00
62	CURVA 1/2" - DRITTO 1/2" L=800	CURVE FITTING 1/2" - STRAIGHT 1/2" L=800	CURVED-ANSCHLUSS 1/2" - GERADES 1/2" L=800	CONNECTEUR COURBE 1/2" - RECTILIGNE 1/2" L=800	1 F1710220-B_00
63	TELAIO TRASFORMAZIONE CARDANO	CARDAN VERSION TRANSFORMATION FRAME	RAHMEN UMWANDLUNG VERS MIT KARDANWELLE	ATTACHE SUPÉRIEURE CHÂSSIS TRASFORMATION	1 F1010087_00
64	SPINA TERZO PUNTO SUPERIORE LATO 3° PUNTO	THREE-POINT SIDE UPPER	BOLZEN OBERER DREIPUNKTANSCHLUSS	CHEVILLE TROISIÈME POINT SUPÉRIEUR	1 L2810004_00
65	TERZO PUNTO INFERIORE FISSO Ø 22mm	THREE-POINT LOWER FIXED Ø 22mm	DREIPUNKTANSCHLUSSSEITE	CÔTÉ TROISIÈME POINT SUPÉRIEUR	1 L2810004_00
66	MOLTIPLICATORE GR. 2 F 1:3.8	OVERGEAR GR. 2 F 1:3.8	ÜBERSETZUNG GR. 2 F 1:3.8	MULTIPLICATEUR GR. 2 F 1:3.8	2 L2810010_00
67	POMPA 2D 16 GAS	PUMP 2D 16 GAS	PUMPE 2D 16 GAS	MULTIPLICATEUR GR. 2 F 1:3.8	1 F2610004_00
68	GIUNTO MOLTIPLICATORE GR.2 Z=14	OVERGEAR COUPLING GR.2 Z=14	KUPPLUNG ÜBERSETZUNG GR.2 Z=14	MULTIPLICATEUR GR. 2 F 1:3.8	1 F1710020_00
69	VITE TCEI 8X30 ZN	TCEI 8X30 ZN SCREW	SCHRAUBE TCEI 8X30 ZN	JOINT MULTIPLICATEUR GR.2 Z=14	1 L2610003_00
70	COMPONENTE ANTIROTATIVO MOLTIPLICATORE	ANTI-ROTATION ROD	ROTATIONSSCHUTZSTAB	VIS TCEI 8X30 ZN	4 L2810063_00
				HAMPE ANTIROTATIVE	1 L2610001_00

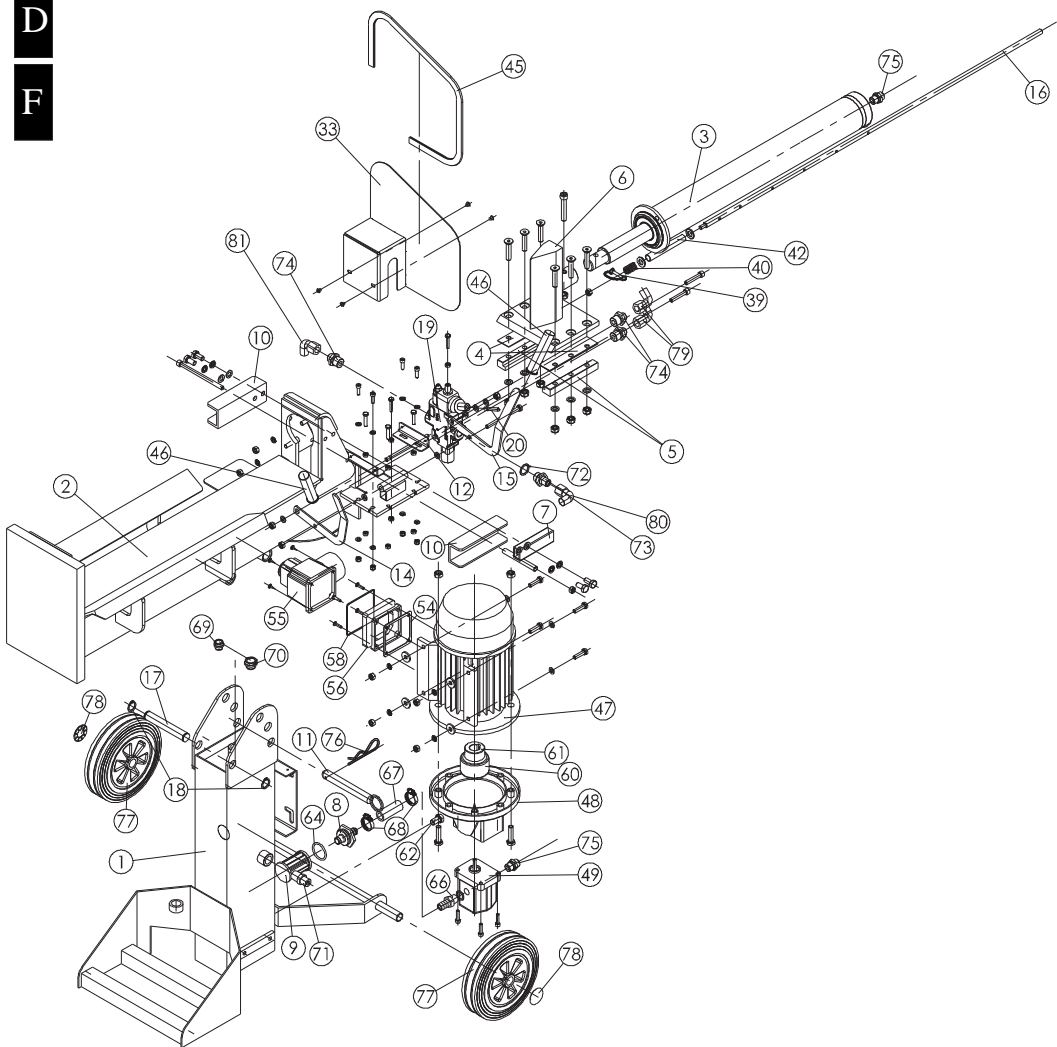
WL 8 MULTIPLA AP



10  
WL 8 MULTIPLA

WL 8 MULTIPLA EL 220V

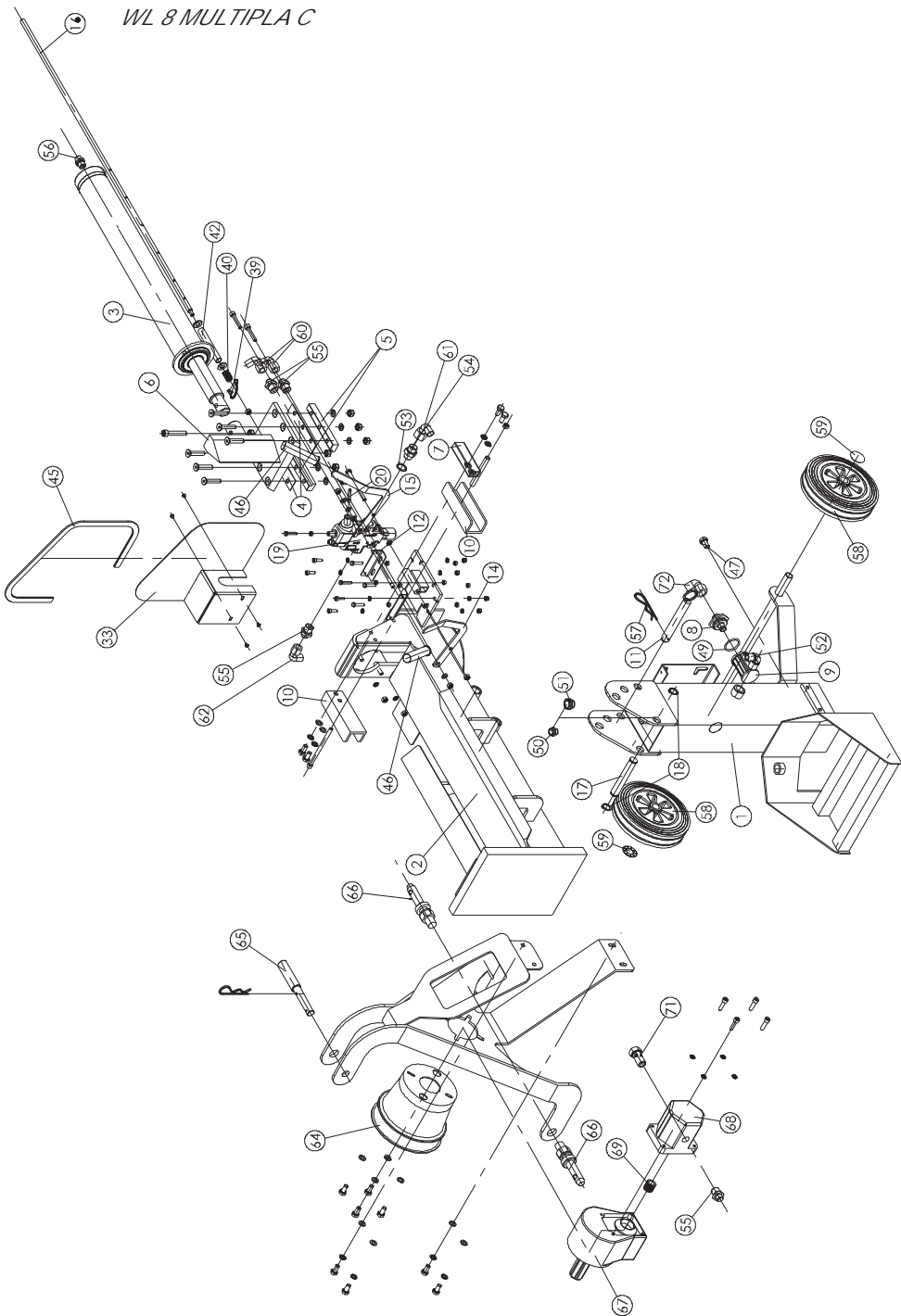
POS.	DENOMINAZIONE	DESCRIPTION	BESCHREIBUNG	DÉNOMINATION	N°	REF.
1	TELAIO FISSO	FIXED FRAME	FIXIERTER RAHMEN	CHÂSSIS FIXE	1	F1010189_01
2	TELAIO MOBILE	MOBILE FRAME	BEWEGLICHER RAHMEN	CHÂSSIS MOBILE	1	F1010128_00
3	CILINDRO	CYLINDER	ZYLINDER	CYLINDRE	1	F1510038_00
4	LAMIERA OTTONE	BRASS SHEET	MESSINGBLECH	TÔLE LAITON	2	L1100020_01
5	ANGOLARE OTTONE	BRASS ANGLE	WINKERPROFIL MESSING	CORNIÈRE LAITON	2	L1100021_01
6	CUNEO	WEDGE	KEIL	LAME	1	F1100021_00
7	COMANDO SCARICO	OFFLOADING CONTROL	BEDIENELEMENT AUSLASS	COMMANDE DÉCHARGEMENT	1	F1610040_00
8	"ESAGONO PORTAFILTRO FILETTO 1/2" GAS"	"FILTER SUPPORT - 1/2" GAS"	"FILTERBEHÄLTNER - 1/2" GAS"	"SUPPORT FILTRE - 1/2" GAS"	1	L1710150_00
9	FILTRO 3/8 GAS D35 H60	FILTER 3/8 GAS D35 H60	FILTER 3/8 GAS D35 H60	FILTRE 3/8 GAS D35 H60	1	F1710009_00
10	DISPOSITIVO ANTIRITORNO LEGNO	ANTI-RETURN DEVICE	HOLZANTRÜCKLAUFVORRICHTUNG	BOIS ANTI-RETOUR	2	F2210011_00
11	SPINA MOBILE	MOBILE PLUG	BEWEGLICHER STECKER	GOUPILLE MOBILE	1	F2810015_00
12	SUPPORTO CARTER	SUPPORT GUARD	UNTERSTÜTZUNG CARTER	SOUTIEN CARTER	2	L1010037_00
13	BILANCIERE DI COMANDO	CONTROL COMPENSATOR	STUECKERIPFHEBEL	CULBATEUR DE COMMANDE	1	L1610055_00
14	LEVA DI COMANDO DX	DX CONTROL LEVER	DX STEUERHEBEL	DX LEVIER DE COMMANDE	1	L1610105_00
15	LEVA DI COMANDO SX	SX CONTROL LEVER	SX STEUERHEBEL	SX LEVIER DE COMMANDE	1	L1610133_00
16	ASTA SCARICO	OFFLOADING ROD	AUSLASSSTAB	ROD ÉCHAPPEMENT	1	L1610098_00
17	PERNO CON GOLE PER SEEGER	PIN FOR CIRCLIP	PIN FÜR SICHERUNGSRING	BROCHES POUR ANNEAU ELASTIQUE	1	L3110026_00
18	SEEGER per PERNO D20/D19	CIRCLIP FOR PIN D20/D19	SICHERUNGSRING FÜR PIN D20/D19	ANNEAU ELASTIQUE BROCHES D20/D19	2	L2810066_00
19	"DISTRIBUTORE WALVOL SD4 1/2" DV"	"WALVOL SD4 1/2" DV DISTRIBUTOR"	"STEUERBLOCK WALVOL SD4 1/2" DV"	"DISTRIBUTEUR WALVOL SD4 1/2" DV"	1	F2510020_00
20	PERNO DISTRIBUTORE	DISTRIBUTOR PIN	STIFT STEUERBLOCK	BROCHES DISTRIBUTEUR	1	L1610087_00
21	VITE TSPEI M10x50	TSPEI M10x50 SCREW	SCHRAUBE TSPEI M10x50	SCHRAUBE TSPEI M10x50	6	L2810029_00
22	RONDELLA Ø 10	Ø 10 WASHER	SCHIBE Ø 10	RONDELLE Ø 10	10	L2810025_00
23	DADI M10 AUTOBLOCCANTI	M10 SELF-LOCKING NUTS	SELBSTSICHERNDEN MUTTERN M10	ÉCROUS AUTOBLOQUANTS M10	9	L2810026_00
24	VITI 8x45 TCEI	8x45 TCEI SCREWS	SCHRAUBEN 8x45 TCEI	VIS 8x45 TCEI	2	L2810048_00
25	VITI 6x20 TCEI	6x20 TCEI SCREWS	SCHRAUBEN 6x20 TCEI	VIS 6x20 TCEI	4	L2810047_00
26	RONDELLA PIANA PER VITE M6	WASHER FLAT FOR M6 SCREW	UNTERLEGSCHIBE FÜR SCHRAUBE M6	RONDELLE PLATE POUR VIS M6	8	L2810070_00
27	DADO AUTOBLOCCANTE M6	M6 SELF-LOCKING NUTS	SELBSTSICHERNDEN MUTTERN M6	ÉCROUS AUTOBLOQUANTS M6	4	L2810069_00
28	VITE TE M8x100	TE M8x100 SCREW	SCHRAUBE TE M8x100	VIS TE M8x100	1	L2810067_00
29	DADI M8 AUTOBLOCCANTI	M8 SELF-LOCKING NUTS	SELBSTSICHERNDEN MUTTERN M8	ÉCROUS AUTOBLOQUANTS M8	4	L2810031_00
30	RONDELLA Ø 8	Ø 8 WASHER	SCHIBE Ø 8	RONDELLE Ø 8	10	L2810030_00
31	VITI 6x30 TE	TE 6x30 SCREW	SCHRAUBE TE 6x30	VIS TE 6x30	5	L2810051_00
32	DADI M6	M6 NUTS	MUTTERN M6	ÉCROUS M6	9	L2810045_00
33	CARTER PER GRUPPO COMANDO	CONTROL UNIT GUARDS	SCHUTZVERKLEIDUNG DER STEUERLEINHEIT	CARTER POUR GROUPE COMMANDE	1	F2210021_00
34	VITE 4.8x9.5 SELF TAPPING PHILLIPS A CROCE	4.8x9.5 SELF TAPPING PHILLIPS SCREW	KOPF-KREUZSCHLITZ SELBSTSCHNEDENDE 4.8x9.5	VIS CRICIFORM AUTOTARAUDÉES DE 4.8x9.5	4	L2810056_00
35	GROVER PER M8	M8 NUTS	GROWER WASHER FÜR SCHRAUBE M8	RONDELLE GROUVER POUR VIS M8	6	L2810071_00
36	DADI M8	M8 NUTS	MUTTERN M8	ÉCROUS M8	7	L2810046_00
37	GROVER PER M10	WASHER GROWER FOR M10 SCREW	GROWER WASHER FÜR SCHRAUBE M10	RONDELLE GROUVER POUR VIS M10	4	L2810072_00
38	VITE 10x20 TE	TE 10x20 SCREW	SCHRAUBE TE 10x20	VIS TE 10x20	4	L2810055_00
39	COPPIGLIA A SCATTO Art.319	COTTER PIN ART.319	BEFESTIGUNGSSPLINT	GOUPILLE AU SNAP ART.319	1	L1510039_00
40	COMPRESSIO-SRING	COMPRESSION-SPRING	SCHRAUBENDRUCKFEDER	RESSORT DE PRESSION	1	L1510022_00
41	RONDELLA M12	M12 WASHER	SCHIBE M12	RONDELLE M12	2	L2810042_00
42	NOTTOLINO DI REGISTRO CORSA	STROKE ADJUSTMENT RATCHET	SCHALTKLINKE HUBEINSTELLUNG	VERROU REGULATION COURSE	1	L1610067_00
43	VITE 8x130 TCEI	8x130 TCEI SCREW	SCHRAUBE 8x130 TCEI	VIS 8x130 TCEI	1	L2810054_00
44	VITE TCEI M10x60	TCEI M10x60 SCREW	SCHRAUBE TCEI M10x60	VIS TCEI M10x60	1	L2810073_00
45	"PROFILO CANALINO "U" CON METALLO"	U PROFILE WITH METAL	"PROFILE "U" MIT METAL"	"PROFILÉ "U" AVEC MÉTAL"	1	F2210016_00
46	MANOPOLE PVC DURO NERA ART 520	ART 520 KNOBS	ART 520 KNAUF	ART 520 POIGNÉE	2	L1610062_00
47	MOTORE HP3 220V 2800 RPM M90	HP3 220V 2800 RPM M90 ENGINE	HP3 220V 2800 RPM MOTOR	MOTEUR HP3 220V 2800 RPM M90	1	F2410002_00
48	LANTERNA HLSL (Ø200)	HLSL (Ø200) SPIDER	LATERNE HLSL (Ø200)	LANTERNE HLSL (Ø200)	1	L2410001_00
49	POMPA 1PD 4.2	1PD 4.2 PUMP	PUMPE 1PD 4.2	PUMPE 1PD 4.2	1	F1710016_00
50	VITE TE M10x40	TE M10x40 SCREW	SCHRAUBE TE M10x40	VIS TE M10x40	2	L2810074_00
51	VITE TE M8x30	TE M8x30 SCREW	SCHRAUBE TE M8x30	VIS TE M8x30	4	L2810075_00
52	RONDELLA PER VITE M8 LARGA (DE=24mm)	WASHER FOR M8 SCREW (DE=24mm)	SCHIBE FÜR SCHRAUBE (DE=24mm)	RONDELLE POUR VIS (DE=24mm)	4	L2810076_00
53	VITE TCEI M6x25	TCEI M6x25 SCREW	SCHRAUBE TCEI M6x25	VIS TCEI M6x25	4	L2810077_00
54	GUARNIZIONE INFERIORE BASETTA INTER. CIMA	LOWER SEAL SWITCH SUPPORT CIMA	UNTERE DICHTUNG SCHALTERHALTERUNG CIMA	GARNITURE INF SUPPORT INTERRUPTEUR CIMA	1	F1810002_00
55	INTERRUTTORE 16 AMP. MONOFASE M90	16A SWITCH FOR M90 SINGLE PHASE MOTOR	SCHALTER 16A FÜR EINPHASENMOTOR M90	INTERRUPTEUR 16A POUR MOTEUR UNIPHASÉ M90	1	F1810008_00
56	BASETTA INTERRUTTORE	SWITCH SUPPORT	SCHALTERHALTERUNG	SUPPORT INTERRUPTEUR	1	L1810005_00
57	VITE M5x20 TESTA CROCE	M5x20 PHILLIPS SCREW	KOPF-KREUZSCHLITZ M5x20	VIS CRICIFORM M5x20	4	L2810058_00
58	GUARNIZIONE SUP BASETTA INTERRUTTORE CIMA	UPPER SEAL SWITCH SUPPORT CIMA	OBERE DICHTUNG SCHALTERHALTERUNG CIMA	GARNITURE SUP SUPPORT INTERRUPTEUR CIMA	1	L1810006_00
59	VITE 4.8x16 TESTA CROCE AUTOFILANTE	4.8x16 SELF TAPPING PHILLIPS SCREW	KOPF-KREUZSCHLITZ SELBSTSCHNEDENDE 4.8x16	VIS CRICIFORM AUTOTARAUDÉES DE 4.8x16	4	L2810057_00
60	GIUNTO ELASTICO HE 41(x)lant. HLSL)	ELASTIC COUPLING HE 41(x) HLSL)	ELASTIKKUPPLUNG HE 41(x) HLSL)	JOINT ELASTIQUE HE 41(x) HLSL)	1	F2410015_00
61	GRANO M4x8	M4x8 GRUBSCREW	GEWINDESTIFT M4x8	VIS SANS TÊTE M4x8	1	L2810080_00
62	VITE M12x20 TE	TCEI M12x20 TE	SCHRAUBE M12x20 TE	VIS M12x20 TE	1	L1710098_00
63	RONDELLA RAME M12	M12 COPPER WASHER	KUPFERSCHIBE M12	RONDELLE DE CUIVRE M12	1	L1710097_00
64	OR PORTAFILTRO WL8	OR FILTER SUPPORT FLANGE WL8	OR HALTERUNGSPFLANSCH FILTER WL8	OR BRIDE SUPPORT FILTRE WL8	1	L1710098_00
65	"RONDELLA RAME 3/8"	"3/8" COPPER WASHER"	"KUPFERSCHIBE 3/8"	"RONDELLE DE CUIVRE 3/8"	2	L1710010_00
66	NIPPLES 3/8M - T16 PORTAGOMMA	NIPPLES 3/8M - T16 RUBBER PIPE HOLDER	ANSAUGNIPPEL 3/8M - T16 SCHLAUCHHALTERUNG	NIPLES 3/8M - T16 PORTE-TUYAU	1	L1710095_00
67	TUBO 16	16 PIPE	ROHR 16	TUYAU 16	1	L1710019_00
68	FASCETTA CACCIAVITE 15-24/9	SCREWDRIVER CLAMP 15-24/9	MANSCHETTE FÜR SCHRAUBENZIEHER 15-24/9	BANDE À TOURNEVIS 15-24/9	2	L1710013_00
69	"TAPPO PLASTICA 1/2" SENZA SFIATO"	"PLASTIC PLUG 1/2" WITHOUT VENT"	"ATEMPAUSE 1/2" OHNE MÜTZE "	"BOUCHON EN PLASTIQUE 1/2" SANS VENT"	1	L1710032_00
70	"TAPPO PLASTICA 1/2" CON SFIATO"	"PLASTIC PLUG 1/2" WITH VENT"	"ATEMPAUSE 1/2" MIT MÜTZE "	"BOUCHON EN PLASTIQUE 1/2" AVEC VENT"	1	L1710007_00
71	NIPPLES 1/2M CON. - 3/8M	NIPPLES 1/2M CON. - 3/8M	ANSAUGNIPPEL 1/2M CON. - 3/8M	NIPLES 1/2M CON. - 3/8M	1	L1710063_00
72	VALVOLA DI RITEGNO	NON-RETURN VALVE	RÜCKSCHLAGVENTIL	SOUPAPE ANTI RETOUR	1	F1710180_00
73	"RONDELLA RAME 1/2"	"1/2" COPPER WASHER"	"KUPFERSCHIBE 1/2"	"RONDELLE DE CUIVRE 1/2"	1	L1710010_00
74	NIPPLES 1/2M - 3/8M	NIPPLES 1/2M - 3/8M	ANSAUGNIPPEL 1/2M - 3/8M	NIPLES 1/2M - 3/8M	1	L1710015_00
75	NIPPLES 1/2M - T12M	NIPPLES 1/2M - T12M	ANSAUGNIPPEL 1/2M - T12M	NIPLES 1/2M - T12M	3	L1710064_00
76	NIPPLES 3/8M - T12M	NIPPLES 3/8M - T12M	ANSAUGNIPPEL 3/8M - T12M	NIPLES 3/8M - T12M	1	L1710026_00
77	COPPIGLIA DOPPIO GIRO D.4x50	SPLIT PIN DOUBLE ROW D.4x50	SPLINT DOPPELREIHE D.4x50	GOUPILLE A DOUBLE RANGÉE D.4x50	1	L2810002_00
78	RUOTE 200 F. 20 BLIKE	WHEELS 200 F. 20 BLIKE	RÄDER 200 F. 20 BLIKE	ROUES 200 F. 20 BLIKE	2	L2710008_00
79	BORCHIA FERMA RUOTA F.20 RES	WHEEL FIXING STUDS F.20 RES	NÄGEL RADBEFESTIGUNG F.20 RES	CLOUS DE FIXATION ROUE F.20 RES	2	L2710002_00
80	T12 - T12 90° L=730	T12 - T12 90° L=730	T12 - T12 90° L=730	T12 - T12 90° L=730	2	F1710124-A_00
81	"3/8" - 3/8" L=790	"3/8" - 3/8" L=790	"3/8" - 3/8" L=790	"3/8" - 3/8" L=790	1	F1710124-B_00
82	T12 - T12 L=1160	T12 - T12 L=1160	T12 - T12 L=1160	T12 - T12 L=1160	1	F1710124-C_00



POS.	DENOMINAZIONE	DESCRIPTION	BESCHREIBUNG	DÉNOMINATION	N° REF.
1	TELAIO FISSO	FIXED FRAME	FIXIRTER RAHMEN	CHÂSSIS FIXE	1 F1010189_01
2	TELAIO MOBILE	MOBILE FRAME	BEWEGLICHER RAHMEN	CHÂSSIS MOBILE	1 F1010129_00
3	CILINDRO	CYLINDER	ZYLINDER	CYLINDRE	1 F1510038_00
4	LAMIERA OTTONE	BRASS SHEET	MESSINGBLECH	TÔLE LAITON	2 L1110020_01
5	ANGOLARE OTTONE	BRASS ANGLE	WINKERPROFIL MESSING	CORNIÈRE LAITON	2 L1110021_01
6	CUNEO	WEDGE	KEIL	LAME	1 F1110021_00
7	COMANDO SCARICO	OFFLOADING CONTROL	BEDIENELEMENT AUSLASS	COMMANDE DÉCHARGEMENT	1 F1610040_00
8	PORTAFILTRO CON FILETTO 1/2" GAS	FILTER SUPPORT - 1/2" GAS	FILTERBEHÄLTNER - 1/2" GAS	SUPPORT FILTRE - 1/2" GAS	1 L1710149_00
9	FILTRO 3/8 GAS D35 H60	FILTER 3/8 GAS D35 H60	FILTER 3/8 GAS D35 H60	FILTRE 3/8 GAS D35 H60	1 F1710009_00
10	DISPOSITIVO ANTRITORNO LEGNO	ANTI-RETURN DEVICE	HOLZANTRÜCKLAUFVORRICHTUNG	BOIS ANTI-RETOUR	2 F2210011_00
11	SPINA MOBILE	MOBILE PLUG	BEWEGLICHER STECKER	GOUPILLE MOBILE	1 F2810015_00
12	SUPPORTO CARTER	SUPPORT GUARD	UNTERSTÜTZUNG CARTER	SOUTIEN CARTER	2 L1010037_00
13	BILANCIERE DI COMANDO	CONTROL COMPENSATOR	STEUERKIPPHEBEL	CULBATEUR DE COMMANDE	1 L1610055_00
14	LEVA DI COMANDO DX	DX CONTROL LEVER	DX STEUERHEBEL	DX LEVIER DE COMMANDE	1 L1610105_00
15	LEVA DI COMANDO SX	SX CONTROL LEVER	SX STEUERHEBEL	SX LEVIER DE COMMANDE	1 L1610133_00
16	ASTA SCARICO	OFFLOADING ROD	AUSLASSSTAB	ROD ÉCHAPPAMENT	1 L1610099_00
17	PERNO CON GOLE PER SEEGER	PIN FOR CIRCLIP	PIN FÜR SICHERUNGSRING	BROCHES POUR ANNEAU ELASTIQUE	1 L3110026_00
18	SEEGER per PERNO D20/D19	CIRCLIP FOR PIN D20/D19	SICHERUNGSRING FÜR PIN D20/D19	ANNEAU ELASTIQUE POUR BROCHES D20/D19	2 L2810066_00
19	DISTRIBUTORE WALVOIL SD4 1/2" DV	WALVOIL SD4 1/2" DV DISTRIBUTOR	STEUERBLOCK WALVOIL SD4 1/2" DV	DISTRIBUTEUR WALVOIL SD4 1/2" DV	1 F2510020_00
20	PERNO DISTRIBUTORE	DISTRIBUTOR PIN	STIFT STEUERBLOCK	BROCHES DISTRIBUTEUR	1 L1610087_00
21	VITE TSPEI M10x50	TSPEI M10x50 SCREW	SCHRAUBE TSPEI M10x50	SCHRAUBE TSPEI M10x50	6 L2810029_00
22	RONDELLA Ø 10	Ø 10 WASHER	SCHIEBE Ø 10	RONDELLE Ø 10	18 L2810025_00
23	DADI M10 AUTOBLOCCANTI	M10 SELF-LOCKING NUTS	SELBSTSICHERNDEN MUTTERN M10	ÉCROUS AUTOBLOQUANTS M10	7 L2810026_00
24	VITI 8x45 TCEI	8x45 TCEI SCREWS	SCHRAUBEN 8x45 TCEI	VIS 8x45 TCEI	2 L2810048_00
25	VITI 6x20 TCEI	6x20 TCEI SCREWS	SCHRAUBEN 6x20 TCEI	VIS 6x20 TCEI	4 L2810047_00
26	RONDELLA PIANA PER VITE M6	WASHER FLAT FOR M6 SCREW	UNTERLEGSCHIEBE FÜR SCHRAUBE M6	RONDELLE PLATE POUR VIS M6	8 L2810070_00
27	DADO AUTOBLOCCANTE M6	M6 SELF-LOCKING NUTS	SELBSTSICHERNDEN MUTTERN M6	ÉCROUS AUTOBLOQUANTS M6	4 L2810069_00
28	VITE TE M8x100	TE M8x100 SCREW	SCHRAUBE TE M8x100	VIS TE M8x100	1 L2810067_00
29	DADI M8 AUTOBLOCCANTI	M8 SELF-LOCKING NUTS	SELBSTSICHERNDEN MUTTERN M8	ÉCROUS AUTOBLOQUANTS M8	4 L2810031_00
30	RONDELLA Ø 8	Ø 8 WASHER	SCHIEBE Ø 8	RONDELLE Ø 8	6 L2810030_00
31	VITI 6x30 TE	TE 6x30 SCREW	SCHRAUBE TE 6x30	VIS TE 6x30	5 L2810051_00
32	DADI M6	M6 NUTS	MUTTERN M6	ÉCROUS M6	9 L2810045_00
33	CARTER PER GRUPPO COMANDO	CONTROL UNIT GUARDS	SCHUTZVERKLEIDUNG DER STEUEREINHEIT	CARTER POUR GROUPE COMMANDE	1 F2210021_00
34	VITE 4.8x9.5 AUTOFLETTANTI A CROCE	4.8x9.5 SELF TAPPING PHILLIPS SCREW	KOPF-KREUZSCHLITZ SELBSTSCHNEIDENDE 4.8x9.5	VIS CRICIFORM AUTOTARAUDES DE 4.8x9.5	4 L2810056_00
35	GROVER PER M8	WASHER GROWER FOR M8 SCREW	GROWER WASHER FÜR M8 SCHRAUBE M8	RONDELLE GROUVER POUR VIS M8	6 L2810071_00
36	DADI M8	M8 NUTS	MUTTERN M8	ÉCROUS M8	3 L2810046_00
37	GROVER PER M10	WASHER GROWER FOR M10 SCREW	GROWER WASHER FÜR SCHRAUBE M10	RONDELLE GROUVER POUR VIS M10	8 L2810072_00
38	VITE 10x20 TE	TE 10x20 SCREW	SCHRAUBE TE 10x20	VIS TE10x20	12 L2810055_00
39	COPPIGLIA A SCATTO Art.319	COTTER PIN ART.319	BEFESTIGUNGSSPLINT	GOUPILLE AU SNAP ART.319	1 L2810039_00
40	COMPRESSION SPRING	COMPRESSION-SPRING	SCHRAUBENDRUCKFEDER	RESSORT DE PRESSION	1 L1510022_00
41	RONDELLA M12	M12 WASHER	SCHIEBE M12	RONDELLE M12	2 L2810042_00
42	NOTTOLINO DI REGISTRO CORSA	STROKE ADJUSTMENT RATCHET	SCHALTLINKE HUBEINSTELLUNG	VERROU REGULATION COURSE	1 L1610067_00
43	VITE 8x130 TCEI	8x130 TCEI SCREW	SCHRAUBE 8x130 TCEI	VIS 8x130 TCEI	1 L2810054_00
44	VITE TCEI M10x60	TCEI M10x60 SCREW	SCHRAUBE TCEI M10x60	VIS TCEI M10x60	1 L2810073_00
45	"PROFILO CANALINO "U" CON METALLO"	U PROFILE WITH METAL	"PROFILE "U" MIT METAL"	"PROFILE "U" AVEC MÉTAL"	1 F2210016_00
46	MANOPOLE PVC DURO NERA ART 520	ART 520 KNAUF	ART 520 KNAUF	ART 520 POIGNÉE	2 L1610062_00
47	VITE M12x20 TE	TCEI M12x20 TE	SCHRAUBE M12x20 TE	VIS M12x20 TE	1 L1710098_00
48	RONDELLA RAME M12	M12 COPPER WASHER	KUPFERSCHIEBE M12	RONDELLE DE CUIVRE M12	1 L1710097_00
49	OR PORTAFILTRO WL8	OR FILTER SUPPORT FLANGE WL8	OR HALTERUNGSFLANSCH FILTER WL8	OR BRIDE SUPPORT FILTRE WL8	1 L1710008_00
50	TAPPO PLASTICA 1/2" SENZA SFIATO	PLASTIC PLUG 1/2" WITHOUT VENT	ATEMPAUSE 1/2" OHNE MÜTZE	BOUCHON EN PLASTIQUE 1/2" SANS VENT	1 L1710032_00
51	TAPPO PLASTICA 1/2" CON SFIATO	PLASTIC PLUG 1/2" WITH VENT	ATEMPAUSE 1/2" MIT MÜTZE	BOUCHON EN PLASTIQUE 1/2" AVEC VENT	1 L1710007_00
52	CURVA 1/2M Con. - 1/2M	CURVE FITTING 1/2M Con. - 1/2M	CURVED-ANSCHLUSS 1/2M Con. - 1/2M	CONNECTEUR COURBE 1/2M Con. - 1/2M	1 L1710053_00
53	RONDELLA RAME 1/2"	1/2" COPPER WASHER	KUPFERSCHIEBE 1/2"	RONDELLE DE CUIVRE 1/2"	1 L1710010
54	NIPPLES 1/2M - T12M	NIPPLES 1/2M - T12M	ANSAUGNIPPEL 1/2M - T12M	NIPLES 1/2M - T12M	1 L1710028_00
55	NIPPLES 1/2M - T12M	NIPPLES 1/2M - T12M	ANSAUGNIPPEL 1/2M - T12M	NIPLES 1/2M - T12M	4 L1710064_00
56	NIPPLES 3/8M - T12M	NIPPLES 3/8M - T12M	ANSAUGNIPPEL 3/8M - T12M	NIPLES 3/8M - T12M	1 L1710026_00
57	COPPIGLIA DOPPIO GIRO D.4x50	SPLIT PIN DOUBLE ROW D.4x50	SPLINT DOPPELREIHE D.4x50	GOUPILLE A DOUBLE RANGEE D.4x50	2 L2810002_00
58	RUOTE 200 F. 20 BLIKE	WHEELS 200 F. 20 BLIKE	RÄDER 200 F. 20 BLIKE	ROUES 200 F. 20 BLIKE	2 L2710008_00
59	BORCHIA FERMA RUOTA F 20 RES	WHEEL FIXING STUDS F 20 RES	NÄGEL RADBEFESTIGUNG F 20 RES	CLOUS DE FIXATION ROUE F 20 RES	2 L2710002_00
60	T12 - T12 90° L=730	T12 - T12 90° L=730	T12 - T12 90° L=730	T12 - T12 90° L=730	2 F1710220-A_00
61	CURVA 1/2" - DRITTO 1/2" L=800	CURVE FITTING 1/2" - STRAIGHT 1/2" L=800	CURVED-ANSCHLUSS 1/2" - GERADES 1/2" L=800	CONNECTEUR COURBE 1/2" - RECTILIGNE 1/2" L=800	1 F1710220-B_00
62	T12 - T12 L=1400	T12 - T12 L=1400	T12 - T12 L=1400	T12 - T12 L=1400	1 F1710220-D_00
63	TELAIO TRASFORMAZIONE CARDANO	CARDAN VERSION TRANSFORMATION FRAME	RAHMEN UMWANDLUNG VERSI MIT KARDANWELLE	ATTACHE SUPÉRIEURE CHÂSSIS TRANSFORMATION	1 F1010087_00
64	CUFFIA NERA PROTEZIONE CARDANO	CARDAN PROTECTIVE GUARD	SCHUTZABDECKUNG KARDANWELLE	PROTECTION DE CARDANE	1 L2210002_00
65	SPINA TERZO PUNTO SUPERIORE LATO 3 P	THREE-POINT SIDE UPPER THREE-POINT PLUG	BOLZEN OBERER DREIPUNKTANSCHLUSS	CHEVILLE TROISIÈME POINT SUPÉRIEUR	1 L2810004_00
66	TERZO PUNTO INFERIORE FISSO Ø 22mm	THREE POINT LOWER FIXED Ø 22mm	DREIPUNKTANSCHLUSS UNTEREN FESTEN Ø 22mm	TROISIÈME POINT INFÉRIEUR FIXE Ø 22mm	2 L2810010_00
67	MULTIPLICATORE GR. 2 M 1:3.8	OVERGEAR GR. 2 M 1:3.8	ÜBERSETZUNG GR. 2 M 1:3.8	MULTIPLICATEUR GR. 2 M 1:3.8	1 F2610001_00
68	POMPA 2D 16 GAS	PUMP 2D 16 GAS	PUMPE 2D 16 GAS	POMPE 2D 16 GAS	1 F1710020_00
69	GIUNTO MULTIPLICATORE GR.2 Z=14	OVERGEAR COUPLING GR.2 Z=14	KUPPLUNG ÜBERSETZUNG GR.2 Z=14	JOINT MULTIPLICATEUR GR.2 Z=14	1 L2610003_00
70	VITE TCEI 8X30 ZN	TCEI 8X30 ZN SCREW	SCHRAUBE TCEI 8X30 ZN	VIS TCEI 8X30 ZN	4 L2810063_00
71	VITE CAVA 1/2"	CAVA 1/2" SCREW	SCHRAUBE CAVA 1/2"	VIS CAVA 1/2"	1 L1710074_00
72	CURVA 1/2" - PER VITE CAVA L=530	CURVE FITTING 1/2" FOR HOLLOW GRUB SCREW L=530"	CURVED-ANSCHLUSS 1/2" FÜR HOHLSCHRAUBE L=530	CONNECTEUR COURBE 1/2" POUR VIS CREUSE L=530	1 F1710220-C_00



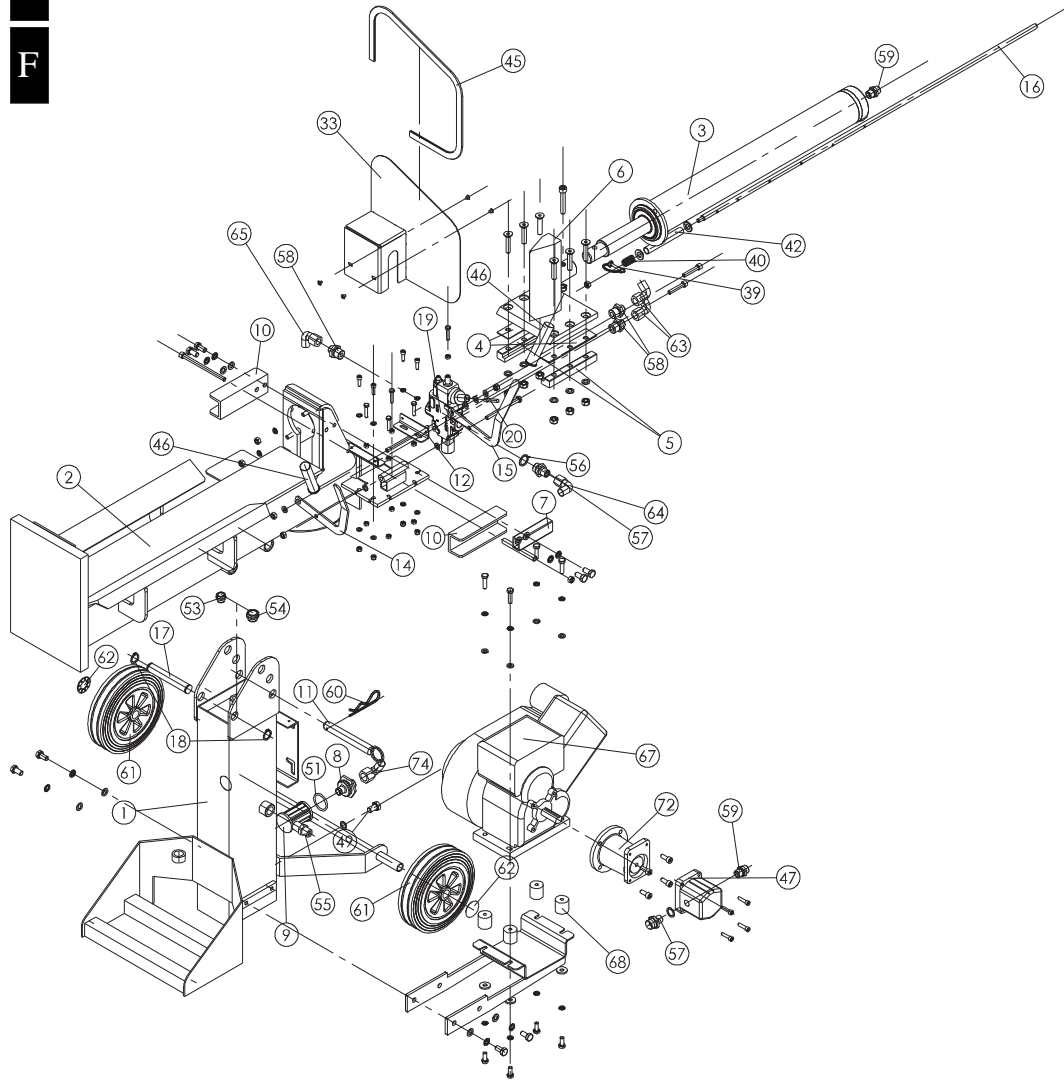
WL 8 MULTIPLA C



8  
WL 8 MULTIPLA

WL 8 MULTIPLA EL 380V

POS.	DENOMINAZIONE	DESCRIPTION	BESCHREIBUNG	DÉNOMINATION	N°	REF.
1	TELAIO FISSO	FIXED FRAME	FIXIERTER RAHMEN	CHÂSSIS FIXE	1	F1010189_01
2	TELAIO MOBILE	MOBILE FRAME	BEWEGLICHER RAHMEN	CHÂSSIS MOBILE	1	F1010129_00
3	CILINDRO	CYLINDER	ZYLINDER	CYLINDRE	1	F1510038_00
4	LAMIERA OTTONE	BRASS SHEET	MESSINGBLECH	TÔLE LAITON	2	L110020_01
5	ANGOLARE OTTONE	BRASS ANGLE	WINKERPROFIL MESSING	CORNIÈRE LAITON	2	L110021_01
6	CUNEO	WEDGE	KEIL	LAME	1	F1100021_00
7	COMANDO SCARICO	OFFLOADING CONTROL	BEDIENELEMENT AUSLASS	COMMANDE DÉCHARGEMENT	1	F1610040_00
8	ESAGONO PORTAFILTRO CON FLETTO 1/2" GAS	FILTER SUPPORT - 1/2" GAS	FILTERBEHÄLTNER - 1/2" GAS	SUPPORT FILTRE - 1/2" GAS	1	L1710150_00
9	FILTRO 3/8 GAS D35 H60	FILTER 3/8 GAS D35 H60	FILTER 3/8 GAS D35 H60	FILTRE 3/8 GAS D35 H60	1	F1710009_00
10	DISPOSITIVO ANTIRITORNO LEGNO	ANTI-RETURN DEVICE	HOLZANTIRÜCKLAUFVORRICHTUNG	BOIS ANTI-RETOUR	2	F2210011_00
11	SPINA MOBILE	MOBILE PLUG	BEWEGLICHER STECKER	GOUPILLE MOBILE	1	F2810015_00
12	SUPPORTO CARTER	SUPPORT GUARD	UNTERSTÜTZUNG CARTER	SOUTIEN CARTER	2	L1010037_00
13	BILANCIERE DI COMANDO	CONTROL COMPENSATOR	STUECKERIPFHEBEL	CULBATEUR DE COMMANDE	1	L1610055_00
14	LEVA DI COMANDO DX	DX CONTROL LEVER	DX STEUERHEBEL	DX LEVIER DE COMMANDE	1	L1610105_00
15	LEVA DI COMANDO SX	SX CONTROL LEVER	SX STEUERHEBEL	SX LEVIER DE COMMANDE	1	L1610133_00
16	ASTA SCARICO	OFFLOADING ROD	AUSLASSSTAB	ROD ÉCHAPPEMENT	1	L1610099_00
17	PERNO CON GOLE PER SEEGER	PIN FOR CIRCLIP	PIN FÜR SICHERUNGSRING	BROCHES POUR ANNEAU ELASTIQUE	1	L3100026_00
18	SEEGER per PERNO D20xD19	CIRCLIP FOR PIN D20xD19	SICHERUNGSRING FÜR PIN D20xD19	ANNEAU ELASTIQUE POUR BROCHES D20xD19	2	L2810066_00
19	"DISTRIBUTORE WALVOIL SD4 1/2" DV"	"WALVOIL SD4 1/2" DV DISTRIBUTOR"	"STUEBERBLOCK WALVOIL SD4 1/2" DV"	"DISTRIBUTEUR WALVOIL SD4 1/2" DV"	1	F2510020_00
20	PERNO DISTRIBUTORE	DISTRIBUTOR PIN	STIFT STEUERBLOCK	BROCHES DISTRIBUTEUR	1	L1610087_00
21	VITE TSPEI M10x50	TSPEI M10x50 SCREW	SCHRAUBE TSPEI M10x50	SCHRAUBE TSPEI M10x50	6	L2810029_00
22	RONDELLA Ø 10	Ø 10 WASHER	SCHIBE Ø 10	RONDELLE Ø 10	10	L2810025_00
23	DADI M10 AUTOBLOCCANTI	M10 SELF-LOCKING NUTS	SELBSTSICHERNDEN MUTTERN M10	ÉCROUS AUTOBLOQUANTS M10	9	L2810026_00
24	VITI 8x45 TCEI	8x45 TCEI SCREWS	SCHRAUBEN 8x45 TCEI	VIS 8x45 TCEI	2	L2810048_00
25	VITI 6x20 TCEI	6x20 TCEI SCREWS	SCHRAUBEN 6x20 TCEI	VIS 6x20 TCEI	4	L2810047_00
26	RONDELLA PIANA PER VITE M6	WASHER FLAT FOR M6 SCREW	UNTERLEGSCHIBE FÜR SCHRAUBE M6	RONDELLE PLATE POUR VIS M6	8	L2810070_00
27	DADO AUTOBLOCCANTE M6	M6 SELF-LOCKING NUTS	SELBSTSICHERNDEN MUTTERN M6	ÉCROUS AUTOBLOQUANTS M6	4	L2810069_00
28	VITE TE M8x100	TE M8x100 SCREW	SCHRAUBE TE M8x100	VIS TE M8x100	1	L2810067_00
29	DADI M8 AUTOBLOCCANTI	M8 SELF-LOCKING NUTS	SELBSTSICHERNDEN MUTTERN M8	ÉCROUS AUTOBLOQUANTS M8	4	L2810031_00
30	RONDELLA Ø 8	Ø 8 WASHER	SCHIBE Ø 8	RONDELLE Ø 8	10	L2810030_00
31	VITI 6x30 TE	TE 6x30 SCREW	SCHRAUBE TE 6x30	VIS TE 6x30	5	L2810051_00
32	DADI M6	M6 NUTS	MUTTERN M6	ÉCROUS M6	9	L2810045_00
33	CARTER PER GRUPPO COMANDO	CONTROL UNIT GUARDS	SCHUTZVERKLEIDUNG DER STEUEREREINHEIT	CARTER POUR GROUPE COMMANDE	1	F2210021_00
34	VITE 4.8x5.5 SELF TAPPING PHILLIPS A CROCE	4.8x5.5 SELF TAPPING PHILLIPS SCREW	KOPF-KREUZSCHLITZ SELBSTSCHNEIDENDE 4.8x5.5	VIS CRICIFORM AUTOTARAUSEUSES DE 4.8x5.5	4	L2810056_00
35	GROVER PER M8	M8 WASHER GROWER FOR M8 SCREW	GROWER WÄSCHER FÜR SCHRAUBE M8	RONDELLE GROUVER POUR VIS M8	6	L2810071_00
36	DADI M8	M8 NUTS	MUTTERN M8	ÉCROUS M8	7	L2810046_00
37	GROVER PER M10	M10 WASHER GROWER FOR M10 SCREW	GROWER WÄSCHER FÜR SCHRAUBE M10	RONDELLE GROUVER POUR VIS M10	4	L2810072_00
38	VITE 10x20 TE	TE 10x20 SCREW	SCHRAUBE TE 10x20	VIS TE 10x20	4	L2810055_00
39	COPPILGLIA A SCATTO Art.319	COTTER PIN ART.319	BEFESTIGUNGSSPLINT	GOUPILLE AU SNAP ART.319	1	L1510039_00
40	COMPRESSION-SPRING	COMPRESSION-SPRING	SCHRAUBENDRUCKFEDER	RESSORT DE PRESSION	1	L1510022_00
41	RONDELLA M12	M12 WASHER	SCHIBE M12	RONDELLE M12	2	L2810042_00
42	NOTTOLINO DI REGISTRO CORSA	STROKE ADJUSTMENT RATCHET	SCHALTKLINKE HUBEINSTELLUNG	VERROU REGULATION COURSE	1	L1610067_00
43	VITE 8x130 TCEI	8x130 TCEI SCREW	SCHRAUBE 8x130 TCEI	VIS 8x130 TCEI	1	L2810054_00
44	VITE TCEI M10x60	TCEI M10x60 SCREW	SCHRAUBE TCEI M10x60	VIS TCEI M10x60	1	L2810073_00
45	"PROFILO CANALINO "U" CON METALLO"	U PROFILE WITH METAL	"PROFILE "U" MIT METAL"	"PROFILÉ "U" AVEC MÉTAL"	1	F2210016_00
46	MANOPOLE PVC DURO NERA ART 520	ART 520 KNOBS	ART 520 KNAUF	ART 520 POIGNÉE	2	L1610062_00
47	MOTORE HP3 380V 2800 RPM M90	HP3 380V 2800 RPM M90 ENGINE	HP3 380V 2800 RPM M90 MOTOR	MOTEUR HP3 380V 2800 RPM M90	1	F2410003_00
48	LANTERNA HL5L (Ø200)	HL5L (Ø200) SPIDER	LATERNE HL5L (Ø200)	LANTERNE HL5L (Ø200)	1	L2410001_00
49	POMPA 1PD 6.7 GAS	1PD 6.7 GAS PUMP	PUMPE 1PD 6.7 GAS	POMPE 1PD 6.7 GAS	1	F1710018_00
50	VITE TE M10x40	TE M10x40 SCREW	SCHRAUBE TE M10x40	VIS TE M10x40	2	L2810074_00
51	VITE TE M8x30	TE M8x30 SCREW	SCHRAUBE TE M8x30	VIS TE M8x30	4	L2810075_00
52	RONDELLA PER VITE M8 LARGA (DE=24mm)	WASHER FOR M8 SCREW (DE=24mm)	SCHIBE FÜR SCHRAUBE (DE=24mm)	RONDELLE POUR VIS (DE=24mm)	4	L2810076_00
53	VITE TCEI M6x25	TCEI M6x25 SCREW	SCHRAUBE TCEI M6x25	VIS TCEI M6x25	4	L2810077_00
54	GUARNIZIONE INFERIORE BASETTA INTER. CIMA	LOWER SEAL SWITCH SUPPORT CIMA	UNTERE DICHTUNG SCHALTERHALTERUNG CIMA	GARNITURE INF SUPPORT INTERRUPTEUR CIMA	1	L1810002_00
55	INTERRUTTORE 6 AMP. TRIFASE M90	16A SWITCH FOR M90 THREE PHASE MOTOR	SCHALTER 16A FÜR DREHSTROMMOTOR M90	INTERRUPTEUR 16A POUR MOTEUR TRIPHASE M90	1	F1810003_00
56	BASETTA INTERRUTTORE	SWITCH SUPPORT	SCHALTERHALTERUNG	SUPPORT INTERRUPTEUR	1	L1810005_00
57	VITE M5x20 TESTA CROCE	M5x20 PHILLIPS SCREW	KOPF-KREUZSCHLITZ M5x20	VIS CRICIFORM M5x20	4	L2810058_00
58	GUARNIZIONE SUP BASETTA INTERRUTTORE CIMA	UPPER SEAL SWITCH SUPPORT CIMA	OBERE DICHTUNG SCHALTERHALTERUNG CIMA	GARNITURE SUP SUPPORT INTERRUPTEUR CIMA	1	L1810006_00
59	VITE 4.8x16 TESTA CROCE AUTOFILETTANTE	4.8x16 SELF TAPPING PHILLIPS SCREW	KOPF-KREUZSCHLITZ SELBSTSCHNEIDENDE 4.8x16	VIS CRICIFORM AUTOTARAUSEUSES DE 4.8x16	4	L2810057_00
60	GIUNTO ELASTICO HE 41(x lant. HL5L)	ELASTIC COUPLING HE 41(x HL5L)	ELASTIKKUPPLUNG HE 41(x HL5L)	JOINT ELASTIQUE HE 41(x HL5L)	1	F2410015_00
61	GRANO M4x8	M4x8 GRUBSCREW	GEWINDESTIFT M4x8	VIS SANS TÊTE M4x8	1	L2810080_00
62	VITE M12x20 TE	TCEI M12x20 TE	SCHRAUBE M12x20 TE	VIS M12x20 TE	1	L1710098_00
63	RONDELLA RAME M12	M12 COPPER WASHER	KUPFERSCHIBE M12	RONDELLE DE CUIVRE M12	1	L1710097_00
64	OR PORTAFILTRO WL8	OR FILTER SUPPORT FLANGE WL8	OR HALTERUNGSPFLANSCH FILTER WL8	OR BRIDE SUPPORT FILTRE WL8	1	L1710008_00
65	RONDELLA RAME 3/8"	3/8" COPPER WASHER	KUPFERSCHIBE 3/8"	RONDELLE DE CUIVRE 3/8"	1	L1710010_00
66	NIPPLES 3/8M - T16 PORTAGOMMA	NIPPLES 3/8M - T16 RUBBER PIPE HOLDER	ANSAUGNIPPEL 3/8M - T16 SCHLAUCHHALTERUNG	NIPLES 3/8M - T16 PORTE-TUYAU	1	L1710095_00
67	TUBO 16	16 PIPE	ROHR 16	TUYAU 16	1	L1710019_00
68	FASCETTA CACCIAVITE 15-24/9	SCREWDRIVER CLAMP 15-24/9	MANSCHETTE FÜR SCHRAUBENZIEHER 15-24/9	BANDE À TOURNEVIS 15-24/9	2	L1710013_00
69	TAPPO PLASTICA 1/2" SENZA SFATIO	PLASTIC PLUG 1/2" WITHOUT VENT	ATEMPAUSE 1/2" OHNE MÜTZE	BOUCHON EN PLASTIQUE 1/2" SANS VENT	1	L1710032_00
70	TAPPO PLASTICA 1/2" CON SFATIO	PLASTIC PLUG 1/2" WITH VENT	ATEMPAUSE 1/2" MIT MÜTZE	BOUCHON EN PLASTIQUE 1/2" AVEC VENT	1	L1710007_00
71	NIPPLES 1/2M CON. - 3/8M	ANSAUGNIPPEL 1/2M CON. - 3/8M	ANSAUGNIPPEL 1/2M CON. - 3/8M	NIPLES 1/2M CON. - 3/8M	1	L1710063_00
72	RONDELLA RAME 1/2"	1/2" COPPER WASHER	KUPFERSCHIBE 1/2"	RONDELLE DE CUIVRE 1/2"	1	L1710010_00
73	NIPPLES 1/2M - 3/8M	ANSAUGNIPPEL 1/2M - 3/8M	ANSAUGNIPPEL 1/2M - 3/8M	NIPLES 1/2M - 3/8M	1	L1710015_00
74	NIPPLES 1/2M - T12M	NIPPLES 1/2M - T12M	ANSAUGNIPPEL 1/2M - T12M	NIPLES 1/2M - T12M	3	L1710064_00
75	NIPPLES 3/8M - T12M	NIPPLES 3/8M - T12M	ANSAUGNIPPEL 3/8M - T12M	NIPLES 3/8M - T12M	2	L1710026_00
76	COPILGIA DOPIO GIRO D.4x50	SPLIT PIN DOUBLE ROW D.4x50	SPLINT DOPPELREIHE D.4x50	GOUPILLE A DOUBLE RANGEE D.4x50	1	L2810002_00
77	RUOTE 200 F. 20 BLIKE	WHEELS 200 F. 20 BLIKE	RÄDER 200 F. 20 BLIKE	ROUES 200 F. 20 BLIKE	2	L2710008_00
78	BORCHIA FERMA RUOTA F.20 RES	WHEEL FIXING STUDS F.20 RES	NÄGEL RADBEFESTIGUNG F.20 RES	CLOUS DE FIXATION ROUE F.20 RES	2	L2710002_00
79	T12 - T12 90° L=730	T12 - T12 90° L=730	T12 - T12 90° L=730	T12 - T12 90° L=730	2	F1710124-A_00
80	"3/8" - 3/8" L=790"	"3/8" - 3/8" L=790"	"3/8" - 3/8" L=790"	"3/8" - 3/8" L=790"	1	F1710124-B_00
81	T12 - T12 L=1160	T12 - T12 L=1160	T12 - T12 L=1160	T12 - T12 L=1160	1	F1710124-C_00



POS.	DENOMINAZIONE	DESCRIPTION	BESCHREIBUNG	DÉNOMINATION	N° REF.
1	TELAIO FISSO	FIXED FRAME	FIXIRTER RAHMEN	CHÂSSIS FIXE	1 F1010189_01
2	TELAIO MOBILE	MOBILE FRAME	BEWEGLICHER RAHMEN	CHÂSSIS MOBILE	1 F1010129_00
3	CILINDRO	CYLINDER	ZYLINDER	CYLINDRE	1 F1510038_00
4	LAMIERA OTTONE	BRASS SHEET	MESSINGBLECH	TÔLE LAITON	2 L1110020_01
5	ANGOLARE OTTONE	BRASS ANGLE	WINKERPROFIL MESSING	CORNÏÈRE LAITON	2 L1110021_01
6	CUNEO	WEDGE	KEIL	LAME	1 F1110021_00
7	COMANDO SCARICO	OFFLOADING CONTROL	BEIENELEMENT AUSLASS	COMMANDE DÉCHARGEMENT	1 F1610040_00
8	ESAGONO PORTAFILTRO CON FILETTO 1/2" GAS	FILTER SUPPORT - 1/2" GAS	FILTERBEHÄLTER - 1/2" GAS	SUPPORT FILTRE - 1/2" GAS	1 L1710149_00
9	FILTRO 3/8 GAS D35 H60	FILTER 3/8 GAS D35 H60	FILTRE 3/8 GAS D35 H60	FILTRE 3/8 GAS D35 H60	1 F1710009_00
10	DISPOSITIVO ANTRITORNO LEGNO	ANTI-RETURN DEVICE	HOLZANTRÜCKLAUFVORRICHTUNG	BOIS ANTI-RETOUR	2 F2210011_00
11	SPINA MOBILE	MOBILE PLUG	BEWEGLICHER STECKER	GOUPILLE MOBILE	1 F2810015_00
12	SUPPORTO CARTER	SUPPORT GUARD	UNTERSTÜTZUNG CARTER	SOUTIEN CARTER	2 L1010037_00
13	BILANCIERE DI COMANDO	CONTROL COMPENSATOR	STEUERKIPPHEBEL	CULBATEUR DE COMMANDE	1 L1610055_00
14	LEVA DI COMANDO DX	DX CONTROL LEVER	DX STEUERHEBEL	DX LEVIER DE COMMANDE	1 L1610105_00
15	LEVA DI COMANDO SX	SX CONTROL LEVER	SX STEUERHEBEL	SX LEVIER DE COMMANDE	1 L1610133_00
16	ASTA SCARICO	OFFLOADING ROD	AUSLASSSTAB	ROD ÉCHAPPEMENT	1 L1610099_00
17	PERNO CON GOLE PER SEEGER	PIN FOR CIRCLIP	PIN FÜR SICHERUNGSRING	BROCHES POUR ANNEAU ELASTIQUE	1 L3110026_00
18	SEEGER per PERNO D20/D19	CIRCLIP FOR PIN D20/D19	SICHERUNGSRING FÜR PIN D20/D19	ANNEAU ELASTIQUE POUR BROCHES D20/D19	2 L2810066_00
19	DISTRIBUTORE WALVOIL SD4 1/2" DV	WALVOIL SD4 1/2" DV DISTRIBUTOR	STEUERBLOCK WALVOIL SD4 1/2" DV	DISTRIBUTEUR WALVOIL SD4 1/2" DV	1 F2510020_00
20	PERNO DISTRIBUTORE	DISTRIBUTOR PIN	STIFT STEUERBLOCK	BROCHES DISTRIBUTEUR	1 L1610087_00
21	VITE TSPEI M10x50	TSPEI M10x50 SCREW	SCHRAUBE TSPEI M10x50	SCHRAUBE TSPEI M10x50	6 L2810029_00
22	RONDELLA Ø 10	Ø 10 WASHER	SCHEBE Ø 10	RONDELLE Ø 10	14 L2810025_00
23	DADI M10 AUTOBLOCCANTI	M10 SELF-LOCKING NUTS	SELBSTSICHERNDEN MUTTERN M10	ÉCROUS AUTOBLOQUANTS M10	7 L2810026_00
24	VITI 8x45 TCEI	8x45 TCEI SCREWS	SCHRAUBEN 8x45 TCEI	VIS 8x45 TCEI	2 L2810048_00
25	VITI 6x20 TCEI	6x20 TCEI SCREWS	SCHRAUBEN 6x20 TCEI	VIS 6x20 TCEI	4 L2810047_00
26	RONDELLA PIANA PER VITE M6	WASHER FLAT FOR M6 SCREW	UNTERLEGSCHEBE FÜR SCHRAUBE M6	RONDELLE PLATE POUR VIS M6	8 L2810070_00
27	DADO AUTOBLOCCANTE M6	M6 SELF-LOCKING NUTS	SELBSTSICHERNDEN MUTTERN M6	ÉCROUS AUTOBLOQUANTS M6	4 L2810069_00
28	VITE TE M8x100	TE M8x100 SCREWS	SCHRAUBE TE M8x100	VIS TE M8x100	1 L2810067_00
29	DADI M8 AUTOBLOCCANTI	M8 SELF-LOCKING NUTS	SELBSTSICHERNDEN MUTTERN M8	ÉCROUS AUTOBLOQUANTS M8	4 L2810031_00
30	RONDELLA Ø 8	Ø 8 WASHER	SCHEBE Ø 8	RONDELLE Ø 8	10 L2810030_00
31	VITI 6x30 TE	TE 6x30 SCREW	SCHRAUBE TE 6x30	VIS TE 6x30	5 L2810051_00
32	DADI M6	M6 NUTS	MUTTERN M6	ÉCROUS M6	9 L2810045_00
33	CARTER PER GRUPPO COMANDO	CONTROL UNIT GUARDS	SCHUTZVERKLEIDUNG DER STEUERLEIHEIT	CARTER POUR GROUPE COMMANDE	1 F2210021_00
34	VITE 4.8x9.5 AUTOFILTETTANTI A CROCE	4.8x9.5 SELF TAPPING PHILLIPS SCREW	KOPF-KREUZSCHLITZ SELBSTSCHNEIDENDE 4.8x9.5	VIS CRICIFORM AUTOTARAUEUSES DE 4.8x9.5	4 L2810056_00
35	GROVER PER M8	WASHER GROVER FOR M8 SCREW	SCHRAUBE GROVER FÜR SCHRAUBE M8	RONDELLE GROVER POUR VIS M8	10 L2810071_00
36	DADI M8	M8 NUTS	MUTTERN M8	ÉCROUS M8	3 L2810046_00
37	GROVER PER M10	WASHER GROVER FOR M10 SCREW	GROVER WASHER FÜR SCHRAUBE M10	RONDELLE GROVER POUR VIS M10	8 L2810072_00
38	VITE 10x20 TE	TE 10x20 SCREW	SCHRAUBE TE 10x20	VIS TE 10x20	8 L2810055_00
39	COPPIGLIA A SCATTO Art.319	COTTER PIN ART.319	BEFESTIGUNGSPILNT	GOUPILLE AU SNAP ART.319	1 L2810039_00
40	COMPRESSION-SPRING	COMPRESSION-SPRING	SCHRAUBENDRUCKFEDER	RESSORT DE PRESSION	1 L1510022_00
41	RONDELLA M12	M12 WASHER	SCHEBE M12	RONDELLE M12	2 L2810042_00
42	NOTTOLINO DI REGISTRO CORSA	STROKE ADJUSTMENT RATCHET	SCHALTKLINKE HUBEINSTELLUNG	VERROU REGULATION COURSE	1 L1610067_00
43	VITE 8x130 TCEI	8x130 TCE SCREW	SCHRAUBE 8x130 TCE	VIS 8x130 TCE	1 L2810054_00
44	VITE TCEI M10x60	TCEI M10x60 SCREW	SCHRAUBE TCEI M10x60	VIS TCEI M10x60	1 L2810073_00
45	PROFILO CANALINO "U" CON METALLO	U PROFILE WITH METAL	PROFILE "U" MIT METAL	PROFILE "U" AVEC MÉTAL	1 F2210016_00
46	MANOPOLE PVC DURO NERA ART 520	ART 520 KNUBS	ART 520 KNAUF	ART 520 POIGNÉE	2 L1610062_00
47	POMPA 1PD 4.2	1PD 4.2 PUMP	PUMPE 1PD 4.2	POMPE 1PD 4.2	1 F1710016_00
48	VITE TCEI M6x25	TCEI M6x25 SCREW	SCHRAUBE TCEI M6x25	VIS TCEI M6x25	4 L2810077_00
49	VITE M12x20 TE	M12x20 TE SCREW	SCHRAUBE M12x20 TE	VIS M12x20 TE	1 L1710098_00
50	RONDELLA RAME M12	M12 COPPER WASHER	KUPFERSCHEBE M12	RONDELLE DE CUIVRE M12	1 L1710097_00
51	OR PORTAFILTRO WL8	OR FILTER SUPPORT FLANGE WL8	OR HALTERUNGSFLANSCH FILTER WL8	OR BRIDE SUPPORT FILTRE WL8	1 L1710008_00
52	RONDELLA RAME 3/8"	3/8" COPPER WASHER	KUPFERSCHEBE 3/8"	RONDELLE DE CUIVRE 3/8"	1 L1710010_00
53	TAPPO PLASTICA 1/2" SENZA SFIATO	PLASTIC PLUG 1/2" WITHOUT VENT	ATEMPAUSE 1/2" OHNE MÜTZE	BOUCHON EN PLASTIQUE 1/2" SANS VENT	1 L1710032_00
54	TAPPO PLASTICA 1/2" CON SFIATO	PLASTIC PLUG 1/2" WITH VENT	ATEMPAUSE 1/2" MIT MÜTZE	BOUCHON EN PLASTIQUE 1/2" AVEC VENT	1 L1710007_00
55	NIPLES 1/2M CON. - 3/8M	NIPPLES 1/2M CON. - 3/8M	ANSAUGNIPPEL 1/2M CON. - 3/8M	NIPLLES 1/2M CON. - 3/8M	1 L1710063_00
56	RONDELLA RAME 1/2"	1/2" COPPER WASHER	KUPFERSCHEBE 1/2"	RONDELLE DE CUIVRE 1/2"	1 L1710010
57	NIPLES 1/2M CON. - 3/8M	NIPPLES 1/2M CON. - 3/8M	ANSAUGNIPPEL 1/2M CON. - 3/8M	NIPLLES 1/2M CON. - 3/8M	2 L1710015_00
58	NIPPLES 1/2M - T12M	NIPPLES 1/2M - T12M	ANSAUGNIPPEL 1/2M - T12M	NIPLLES 1/2M - T12M	3 L1710064_00
59	NIPPLES 3/8M - T12M	NIPPLES 3/8M - T12M	ANSAUGNIPPEL 3/8M - T12M	NIPLLES 3/8M - T12M	2 L1710026_00
60	COPIGLIA DOPPIO GIRO D.4x50	SPLINT PIN DOUBLE ROW D.4x50	SPLINT DOPPELREIHE D.4x50	GOUPILLE A DOUBLE RANGEE D.4x50	1 L2810002_00
61	RUOTE 200 F. 20 BLIKE	WHEELS 200 F. 20 BLIKE	RÄDER 200 F. 20 BLIKE	ROUES 200 F. 20 BLIKE	2 L2710008_00
62	BORCHIA FERMA RUOTA F 20 RES	WHEEL FIXING STUDS F 20 RES	NÄGEL RADBEFESTIGUNG F 20 RES	CLOUS DE FIXATION ROUE F 20 RES	2 L2710002_00
63	T12 - T12 90° L=730	T12 - T12 90° L=730	T12 - T12 90° L=730	T12 - T12 90° L=730	2 F1710203-A_00
64	3/8" - 3/8" L=790	3/8" - 3/8" L=790	3/8" - 3/8" L=790	3/8" - 3/8" L=790	1 F1710203-B_00
65	T12 - T12 L=1160	T12 - T12 L=1160	T12 - T12 L=1160	T12 - T12 L=1160	1 F1710203-C_00
66	SUPPORTO MOTORE BM	BM ENGINE SUPPORT	UNTERSTÜTZUNG DER MOTOR BM	SUPPORT MOTEUR	1 F1010068_00
67	MOTORE BM 5.5 HP	ENGINE BM 5.5 HP	MOTOR BM 5.5 HP	MOTEUR BM 5.5 HP	1 F2410026_00
68	ANTI-VIBRANTE F-F M8x10 Ø30 H=30	ANTI-VIBRATION MOUNTING F-F M8x10 Ø30 H=30	ANTI SCHWINGUNG F-F M8x10Ø30 H=30	PLOT ANTI-VIBRATILE F-F M8x10 Ø30 H=30	4 F2810004_00
69	RONDELLA PER VITE M8 LARGA (DE=24mm)	WASHER FOR M8 SCREW (DE=24mm)	SCHEBE FÜR SCHRAUBE (DE=24mm)	RONDELLE POUR VIS (DE=24mm)	4 L2810076_00
70	VITI 8x20 TE	8x20 TE SCREW	SCHRAUBE 8x20 TE	VIS 8x20 TE	4 L2810052_00
71	VITE TE M8x30	TE M8x30 SCREW	SCHRAUBE TE M8x30	VIS TE M8x30	4 L2810075_00
72	KIT LANTERNA Gr1 BM HONDA Hp 5.5 - B&S Hp 6.5	Gr1 BM HONDA Hp 5.5 - B&S Hp 6.5 SPIDER KIT	KIT LANTERNE Gr1 BM HONDA Hp 5.5 - B&S Hp 6.5	KIT LANTERNE Gr1 BM HONDA Hp 5.5 - B&S Hp 6.5	1 F2410023_00
73	VITE TCEI M8X20 ZN	TCEI M8X20 ZN SCREW	SCHRAUBE TCEI M8X20 ZN	VIS TCEI M8X20 ZN	4 L2810063_00
74	CURVA 1/2" - CURVA 180° 1/2" L=400	PIPE BEND 1/2" - CURVA 180° 1/2" L=400	ROHRBOGEN 1/2" - CURVA 180° 1/2" L=400	COUDE DE TUBE 1/2" - CURVA 180° 1/2" L=400	1 F1710203-D_00